



ADI ADM3251E
Inside



Introduction

ATC-105N electromagnetic isolated interface converter. capable of RS-232 signal converter RS-422 or RS-485 signals. Very suitable to work in harsh electrical environments, or frequent plug RS-232 cable for the occasion; application iCoupler & reg technology can be simultaneously used to isolate the logic signals and integrated isoPower isolated DC-DC converter. so ATC-105N can provide total isolation solution provides 2500V isolation voltage. TVS can effectively inhibit the Lightning and ESD on RS-485 bus line.

ATC-105N electromagnetic Isolated Interface Converter can provide credible connection for point to point, point to multi-point communication. The point to multi-point allows connecting 128 RS-422 or RS-485 interface devices with data transmission speed of 0-460KBPS. The 3 power supply and data flow indication light can indicate malfunction. It supports communication modes including RS-232C to RS-422, RS-232 to RS-485 conversion.

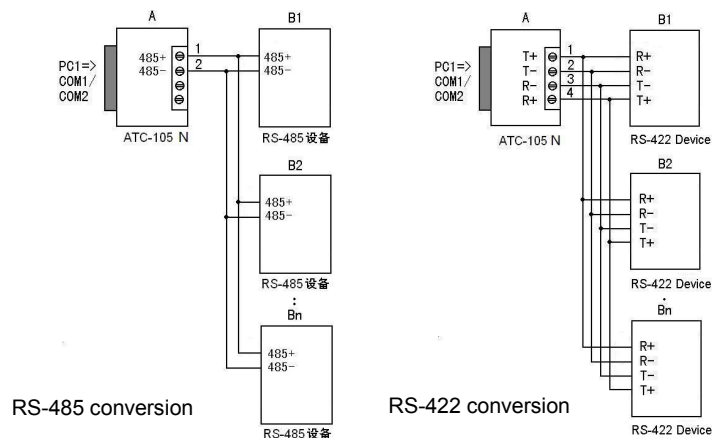
Application

- ◆ Point to point, point to multi-point communication
- ◆ Industrial distribution system. Industrial control automation
- ◆ Road traffic control automation
- ◆ Closed circuit monitoring
- ◆ Security protection system
- ◆ Intelligent card, check on work attendance gate safety system

Order information

Feature

- ◆ Interface feature: Compatible with EIA/TIA RS-232C, RS-485/RS-422 standard
- ◆ Electric interface: RS-232C is DB9 Female
RS-422/RS-485 is four bit terminals
- ◆ Transmission media: Twisted-pair cable or shielded cable
- ◆ Operation mode: Asynchronous half or full duplex
- ◆ Signal indication: 3 signal indication lights indicate TD RD and PWR
- ◆ Power supply: 9-24V DC
- ◆ Isolation: Isolation voltage 2500VRMS 500VDC sequence
- ◆ Protecting grade: RS-232 interface 600W lightning strike and surge protection, RS-422, RS-485 interface 600W lightning strike and surge protection on each line
- ◆ Transmission speed: 0-230kbps
- ◆ Transmission distance: 1.2km
- ◆ Working environment: -40°C to 70°C, 5% to 95% relative humidity
- ◆ Product appearance: Plastic shell 76mmx54mmx23mm



ATC-105	RS-232 to RS-422/485 Optoelectronic Isolated Interface Converter (DB9)
ATC-105N	RS-232 to RS-422/485 electromagnetic isolated interface converter(DB9)
ATC-107N	RS-232 to RS-422/485 Industrial Class Wall-mounted optoelectronic Isolated Interface Converter
ATC-108	RS-232 to RS-422/485 Optoelectronic Isolated Interface Converter (DB9)
ATC-108N	RS-232 to RS-422/485 Industrial Class Wall-mounted optoelectronic Isolated Interface Converter